

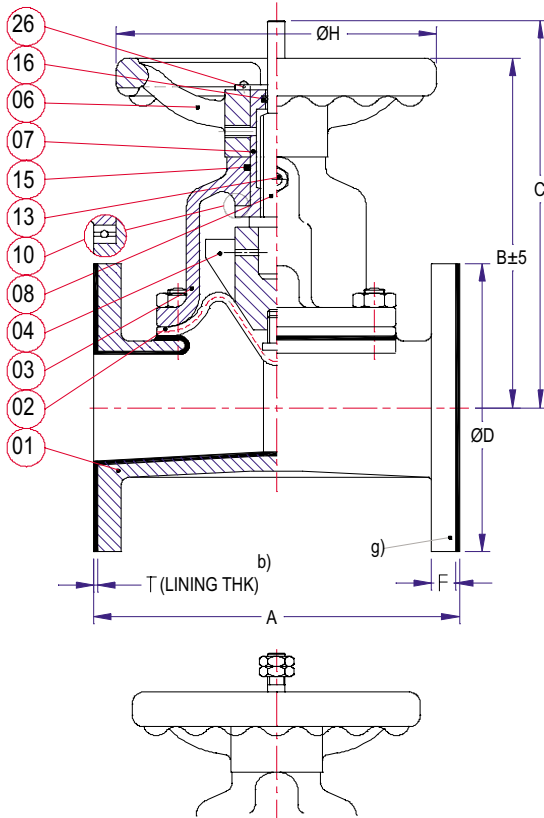


Diaphragm Valve - Rubber Lined, Model 'ST - RL'

DATE : 24 - 06 - 2007

DRG. No : DPV - ST - RL

Rubber Lined



PT.NO.	Part Name	Material
01	Body	# CI /DI /S G IRON /WCB /CF8 /CF8M
02	Diaphragm ^{a)}	
03	Bonnet	CI /WCB /CF8 /CF8M
04	Compressor	CI /WCB /CF8 /CF8M
06	Handwheel	CI
07	Stem Bush	S.G.IRON
08	Stem	410
10	Thrust Bearing ^{c)}	Steel
13	Lubrication Fitting ^{d)}	Brass
15	'O' Ring seal (Bushing) ^{e)}	Buna - N
16	'O' Ring seal (Stem) ^{e)}	Buna - N
26	Name Plate ^{f)}	304

- a) Diaphragm Hardness : _____ Shore 'A'
- b) Lining Hardness : _____ Shore 'A'
- c) For Sizes 80 and Higher
- d) Applicable for sizes 125 & Higher, Not Applicable for Sealed Bonnet
- e) For Sealed Bonnet only (Sealed Bonnet available on request)
- f) For sizes 125 & Higher on Flanges
- g) Flange Drilling

Note.

1) Valve Length = EN 558-1 Series 7 (BS 5156) & EN 558-1 Series 1 (DIN 3202 Series F1).

2) Weight (Wt) indicated is approximate.

Design Standard: EN - 13397 (2001) (BS 5156)
 Testing Standard: prEN - 12266- 3(1995) / BS6755 - I

All Dimensions are in mm.

Size	15	20	25	32	40	50	65	80	100	125	150	200	250	300		
A	Series 7	114	123	133	152	165	196	222	260	313	364	414	529	645	759	
	Series 1	130	150	160	180	200	230	290	310	350	400	480	600	730	850	
B	90	90	112	112	112	146	177	205	244	272	433	420	545	640		
C	95	95	121	121	121	171	210	244	288	350	524	520	670	800		
T	3					4					5					
ØD	95	105	115	140	150	165	185	200	229	254	285	343	406	483		
ØH	70		100			140	180	225		310	368		587			
F	12.0	12.0	12.0	12.0	15.0	17.5	18.0	19.0	23.8	23.8	20.0	22.0	24.0	24.0		
Wt. kg	Series 7	2.4	2.8	4.2	4.5	5.5	10	15	25	32	55	85	144	188	330	
	Series 1	2.5	3.0	4.5	5.5	6.0	10.5	15.5	26	33	57	87	146	192	335	
Opt. PR. bar	10.50										7.00		5.25			
Qty																
Test Pressure		bar														
HYD	Shell						15.75					10.50		8.00		
	Seat						10.50					7.00		5.25		
Air Seat		5.00														
Tag No																
Code		CI		DI	WCB	CF8	CF8M	S.G.Iron					410	304		
Material Specn	EN1561	IS: 210	A 395	A 216	A 351	A 351	EN 1563	EN 1563	IS: 1865	A 276	A 240					
	EN - JL 1040	FG 260	DI	WCB	CF8	CF 8M	EN JS 1050	EN JS 1050	500 / 7	410	304					

Customer _____
 Order No. _____
 Job / Project _____

Manufactured By : **AMCO INDUSTRIAL VALVES, ROYAPURAM, CHENNAI - 600 013, INDIA.**

Due to continuous development programme, the design and data given in this leaflet are subject to change without prior notice.

REV



For Record

For Approval