

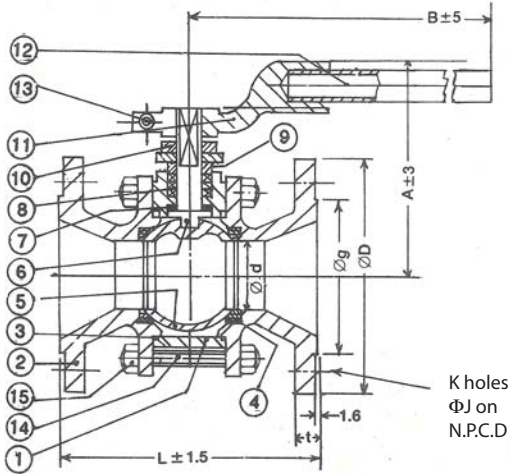
# AMCO INDUSTRIAL VALVES



BALL VALVE - 3 pc Design Regular Port - ANSI Class - 300

DATE: 13 - 06 - 07

REF: DRG. NO. 1009



No	Nomenclature	Material							
		ASTM A	ASTM A	ASTM A	ASTM A	ASTM A	Alloy	HAST	HAST
1	Body	ASTM A	ASTM A	ASTM A	ASTM A	ASTM A	Alloy	HAST	HAST
2	End Body Connector	216 WCB	351 CF8	351 CF8M	351 CF3	351 CF3M	20	B	C
3	Body Seal	PTFE							
4	Ball Seat	PTFE - Virgin / Reinforced							
5	Ball	CF 8	CF 8	CF 8M	CF 3	CF 3M	Alloy 20	HAST B	HAST C
6	Stem	AISI 304	AISI 304	AISI 316	AISI 304L	AISI 316L	Alloy 20	HAST B	HAST C
7	Stem Seal	PTFE - Virgin / Reinforced							
8	Gland Packing	PTFE							
9	Gland	AISI 304	AISI 304	AISI 316	AISI 304L	AISI 316L	Alloy 20	HAST B	HAST C
10	Gland Nut	ASTM A 194 GR 2H / SS 304							
11	Stopper / Adaptor	Steel CAD. Plated / EPOXY Powder Coated - Rust Proofed							
12	Lever	Steel EPOXY Powder Coated - Rust Proofed							
13	Lever Nut	ASTM A 194 GR 2H / SS 304							
14	Body Studs	ASTM A 193 GR B7 / SS 304							
15	Body Nuts	ASTM A 194 GR 2H / SS 304							

Manufacturing Standard : BS-5351  
 Testing Standard : BS-5146  
 Face to Face : ANSI B 16.10  
 End Connection : Flanged to ANSI B16.5 RF

a) For sizes 150 and above / optional gear operated

SIZE	15	20	25	40	50	65	80	100	125	150	200	250
A	80	90	100	120	130	140	150	180		225	270	300
B	162	162	190	225	280	280	350	350		475	525	700
L	140	152	165	191	216	241	283	305		403	419	457
ΦD	95	117	124	156	165	191	210	254		318	381	445
t	14.3	16.0	17.5	21.0	22.5	25.5	29.0	32.0		36.6	41.3	47.6
Φg	35	43	51	73	92	105	127	157		216	270	324
N	67.0	82.5	89.0	114.5	127.0	149.0	168.5	200.0		270	330.0	387.0
K	4	4	4	4	8	8	8	8		12	12	16
ΦJ	16	19	19	22	19	22	22	22		22	25	29
Φd (Min)	13	19	25	38	50	63	76	101		148	198	248
Wgt. Kg												
Qty.												
Tag No.												

Code	WCB
Material	ASTM A 216
Specification	WCB
Test Pressure (BAR)	
Shell (Hydrostatic)	77
Seat (Hydrostatic)	52
Seat (Air)	5.5
(All Dimensions in mm)	

Customer \_\_\_\_\_  
 Order No: \_\_\_\_\_  
 Job / Project \_\_\_\_\_

Manufactured By : **AMCO INDUSTRIAL VALVES**, ROYAPURAM, CHENNAI - 600 013, INDIA.  
 Due to continuous development programme, the design and data given in this leaflet are subject to change without prior notice.

REV

For Record

For Approval