

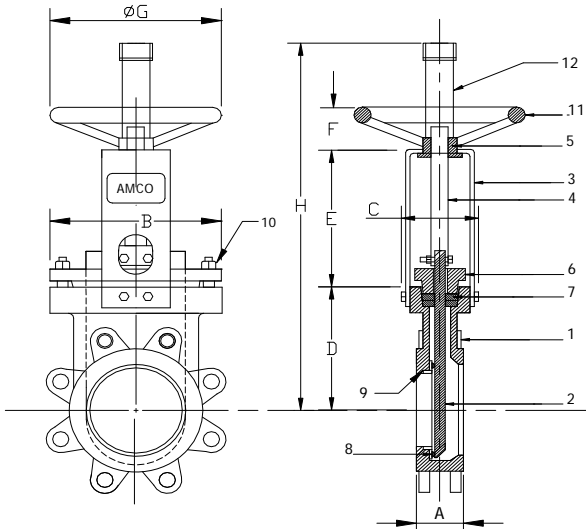
AMCO INDUSTRIAL VALVES

KNIFE EDGE GATE VALVE (WAFER TYPE - FULL LUG DESIGN)

DATE :

REF: DRG.NO. KGV - 2 - 40

UNI-DIRECTIONAL - SERIES: UD-70



VALVE SIZE	DIMENSIONS IN MM								Weight(k.g)
	A	B	C	D	E	F	ØG	H	
50	48	119	100	105	129	47	225	420	7
65	51	134	100	115	146	47	225	450	8
80	51	149	100	124	162	47	225	475	9
100	51	169	100	140	187	47	225	520	11
125	57	180	100	150	211	47	225	600	15
150	57	210	100	175	237	47	225	652	18
200	70	262	122	205	309	67	310	822	30
250	70	318	122	250	364	67	310	1022	44
300	70	372	122	300	414	67	310	1122	58
350	76	431	197	338	486	67	410	1323	96
400	89	486	197	392	536	67	410	1427	124
450	89	540	201	432	588	67	550	1594	168
500	114	602	201	485	648	67	550	1707	192
600	114	708	201	590	748	67	550	2022	245
700	114	834	380	686	890	74	800	2575	405
750	114	884	380	760	945	74	800	2704	455
800	114	1015	380	791	989	74	800	3479	512
900	114	1040	380	895	1118	74	800	3798	680
1000	114	1150	380	975	1220	74	800	3980	865

MANUFACTURING & TESTING STANDARD : MSS-SP-81

ACCESSORIES : DEFLECTION CONE/ SOLENOID VALVE/
LIMIT SWITCH

SL.NO	DESCRIPTION	MATERIAL SPECIFICATION			
1	BODY	C I IS:210 Gr FG220	STEEL ASTM A216-WCB	ST.STEEL ASTM A351 CF8	ST.STEEL ASTM A351 CF8M
2	GATE	STAINLESS STEEL- 304			ST.STEEL 316
3	YOKE	STEEL - EPOXY POWDER COATED			
4	STEM	STAINLESS STEEL- 304			ST.STEEL 316
5	STEM BUSH	EXTRUDED BRASS			
6	GLAND	C I IS:210 Gr FG220	STEEL ASTM A216-WCB	ST.STEEL ASTM A351 CF8	ST.STEEL ASTM A351 CF8M
7	GLAND PACKING	COTTON BRAIDED + NITRILE RING/ PTFE + NITRILE RING/ As. REQUIRED			
8	RESILIENT RING	BLACK EPDM			
9	RING RETAINER	STAINLESS STEEL 304			
10	FASTENERS	ASTM A193 Gr B7/ A194 Gr 2H - STAINLESS STEEL 304			
11	HAND WHEEL	CAST IRON - IS: 210 Gr. FG220			
12	STEM PROTECTOR	MILD STEEL PIPE - EPOXY POWDER COATED			

NOTE : VALVE SIZE 100 OF BODY CAST IRON SHALL BE TWO LUGGED DESIGN.

CUSTOMER : _____

ORDER NO : _____

JOB/PROJECT : _____

MANUFACTURED BY : AMCO INDUSTRIAL VALVES, CHENNAI - 600 013.

Due to continuous development programme, the design and data given in this leaflet are subject to change without notice.

REV

FOR RECORD

FOR APPROVAL