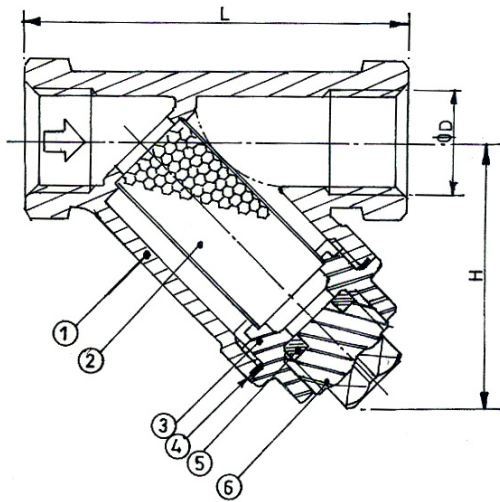




Y - Strainer PN 40

DATE: 13 - 06 - 07

REF: DRG. NO. YS - SCD 1550



No	Part Name	Material
1	Body	WCB / CF8 / CF8M
2	Screen *	WCB / CF8 / CF8M
3	Bottom Plug	WCB / CF8 / CF8M
4	Packing	PTFE
5	Gasket	PTFE
6	Plug	WCB / CF8 / CF8M

* Screen Details

Hole Dia : 0.8 mm
Pitch : 1.7 / 1.8
Thickness : 0.3 mm

Valve Size	15	20	25	32	40	50
L	61	70	86	100	111	138
H	37	41	47	54	62	76
ØD	15	20	25	32	38	51
Qty						

Tag No.

Material

Specification :

Test Pressure (Bar)

Shell (Hydrostatic)

60

Seat (Hydrostatic)

Seat (Air)

(All Dimensions in mm)

REV

For Record

For Approval

Customer _____

Order No: _____

Job / Project _____

Manufactured By : **AMCO INDUSTRIAL VALVES, ROYAPURAM, CHENNAI - 600 013, INDIA.**

Due to continuous development programme, the design and data given in this leaflet are subject to change without prior notice.